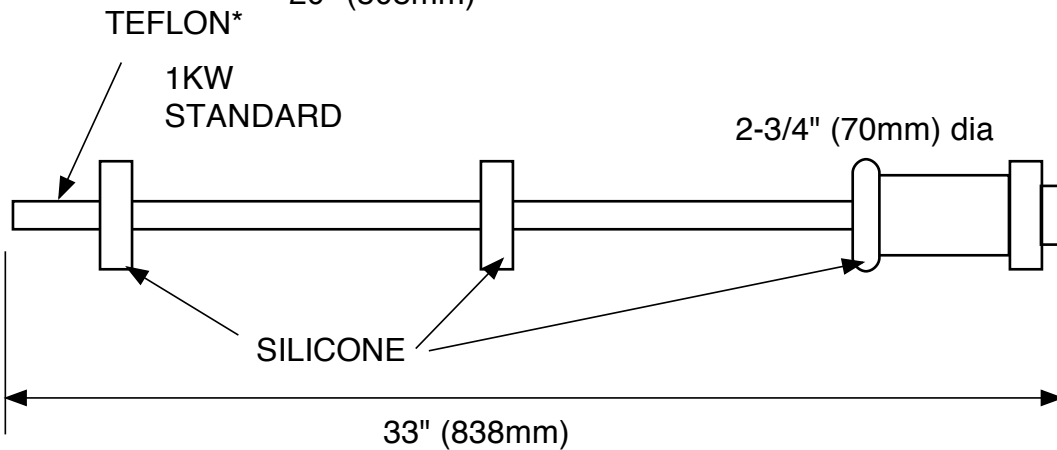
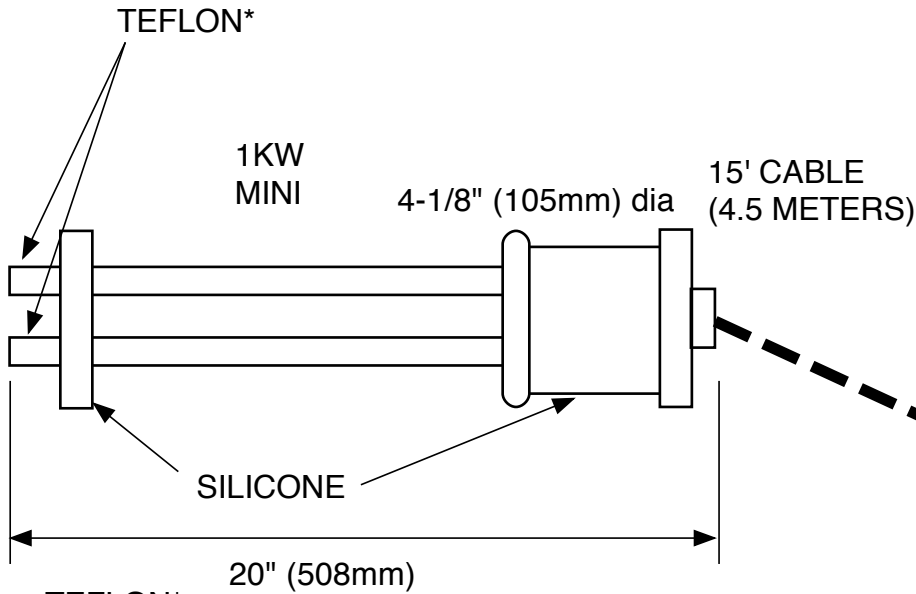
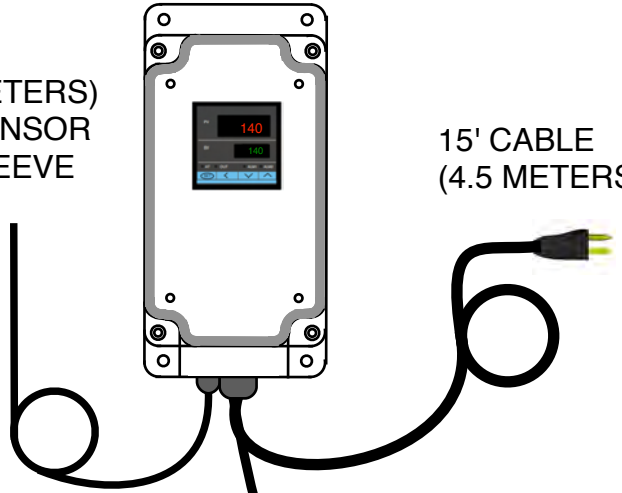


# DIGITAL SUBMERSIBLE TEFLON\* TOTE HEATERS

15' (4.5 METERS)  
TYPE J SENSOR  
IN PFA SLEEVE

15' CABLE  
(4.5 METERS)



\*TEFLON IS THE REGISTERED TRADEMARK FOR FLUOROPOLYMER RESINS MADE BY DuPont.

# DIGITAL SUBMERSIBLE TEFLON\* TOTE HEATERS



MODEL	MODEL	WATTS	VOLTS
STANDARD	MINI		
SUBTTEFD1-1	SUBTTEFMD1- 1	1000	120V
SUBTTEFD1-2	SUBTTEFMD1-2		240V

PTC element design to reduce low level burnout

Energy efficient PTC technology

Dual digital control readout 0-400°C, 0-400°F range  $\pm 0.5\%$ FS

These heaters are made from teflon\* and silicone, they have great chemical compatibility. Digital thermostat control.

Check chemical compatibility with your fluid.

Not for use with oils or solvents