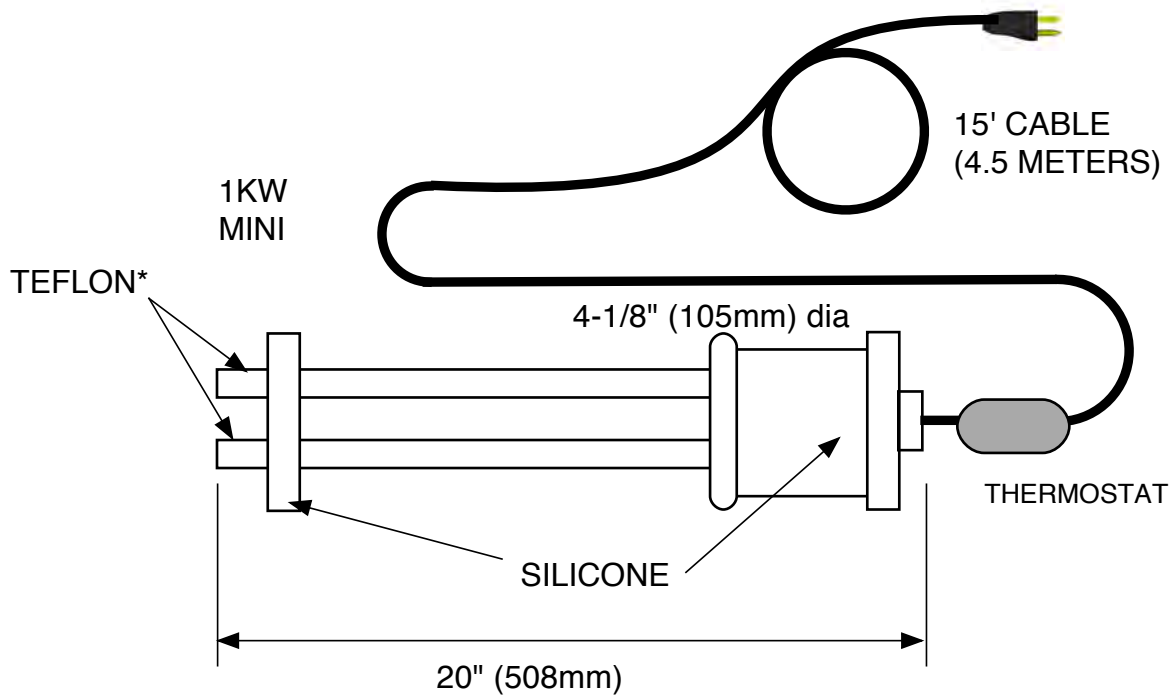
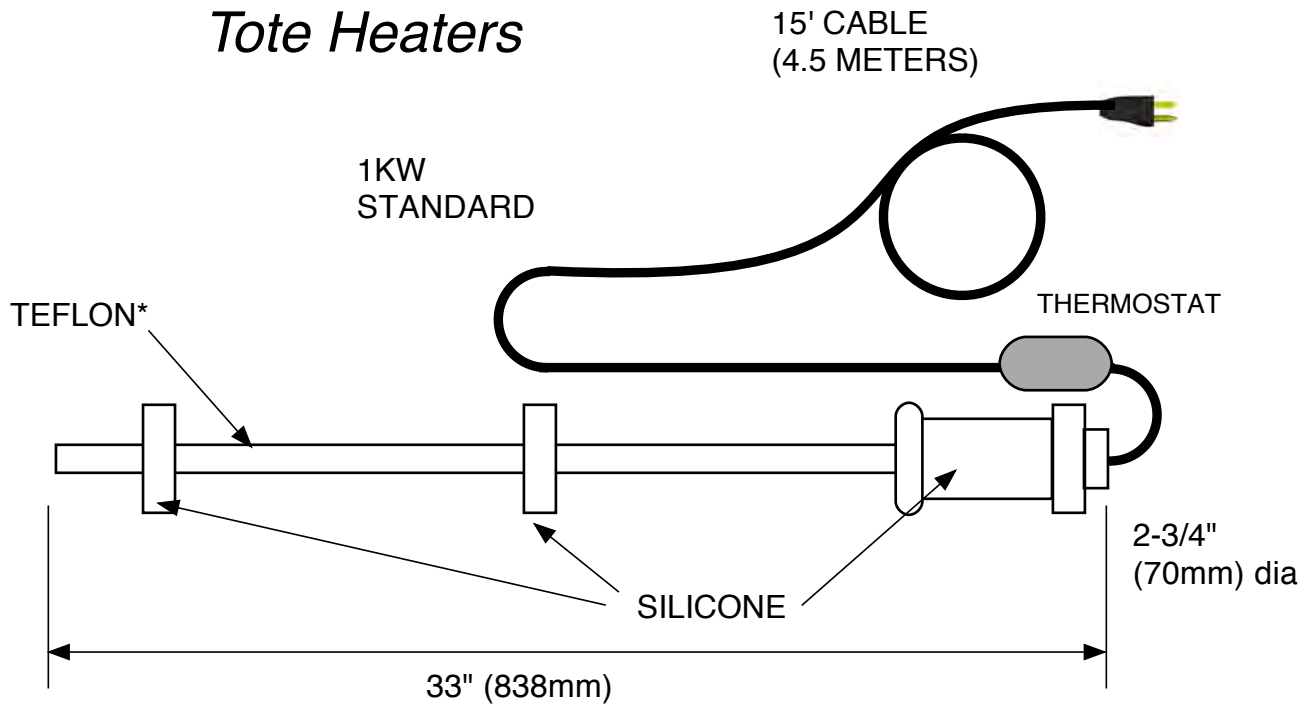


# Submersible Teflon\* Tote Heaters



\*TEFLON IS THE REGISTERED TRADEMARK FOR FLUOROPOLYMER RESINS MADE BY DuPont.

# Submersible Teflon\* Tote Heaters



1KW  
MINI



SNAP ACTION  
THERMOSTAT  
PRESET  
TEMPERATURES

MODEL	MODEL	WATTS	VOLTS	ON TEMP	OFF TEMP
STANDARD	MINI			°C / °F	°C / °F
SUBTTEF1-18-1	SUBTTEFM1-18-1	1000	120V	3 / 37	18 / 65
SUBTTEF1-18-2	SUBTTEFM1-18-2		240V		

MODEL	MODEL	WATTS	VOLTS	ON TEMP	OFF TEMP
STANDARD	MINI			°C / °F	°C / °F
SUBTTEF1-27-1	SUBTTEFM1-27-1	1000	120V	16 / 60	27 / 81
SUBTTEF1-27-2	SUBTTEFM1-27-2		240V		

MODEL	MODEL	WATTS	VOLTS	ON TEMP	OFF TEMP
STANDARD	MINI			°C / °F	°C / °F
SUBTTEF1-40-1	SUBTTEFM1-40-1	1000	120V	30 / 86	40 / 104
SUBTTEF1-40-2	SUBTTEFM1-40-2		240V		

These heaters are made from teflon\* and silicone, they have great chemical compatibility. The temperatures are preset with snap action thermostats. Check chemical compatibility with your fluid.  
Not for use with oils or solvents

\*TEFLON IS THE REGISTERED TRADEMARK FOR FLUOROPOLYMER RESINS MADE BY DuPont.