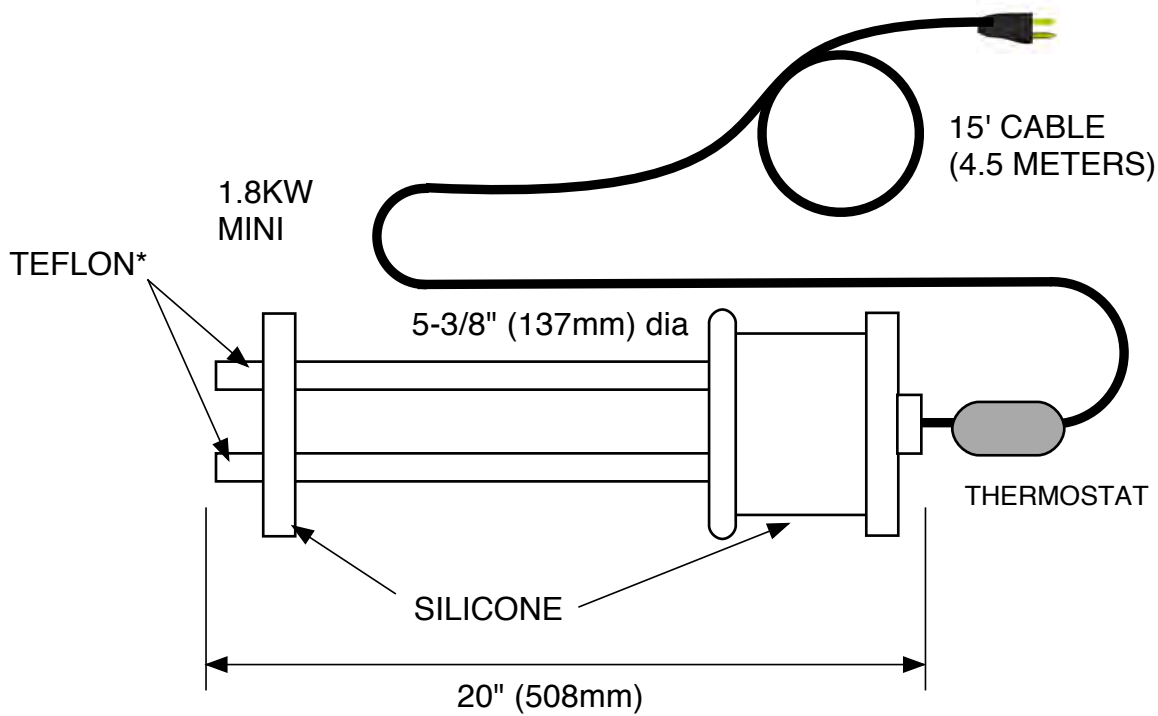
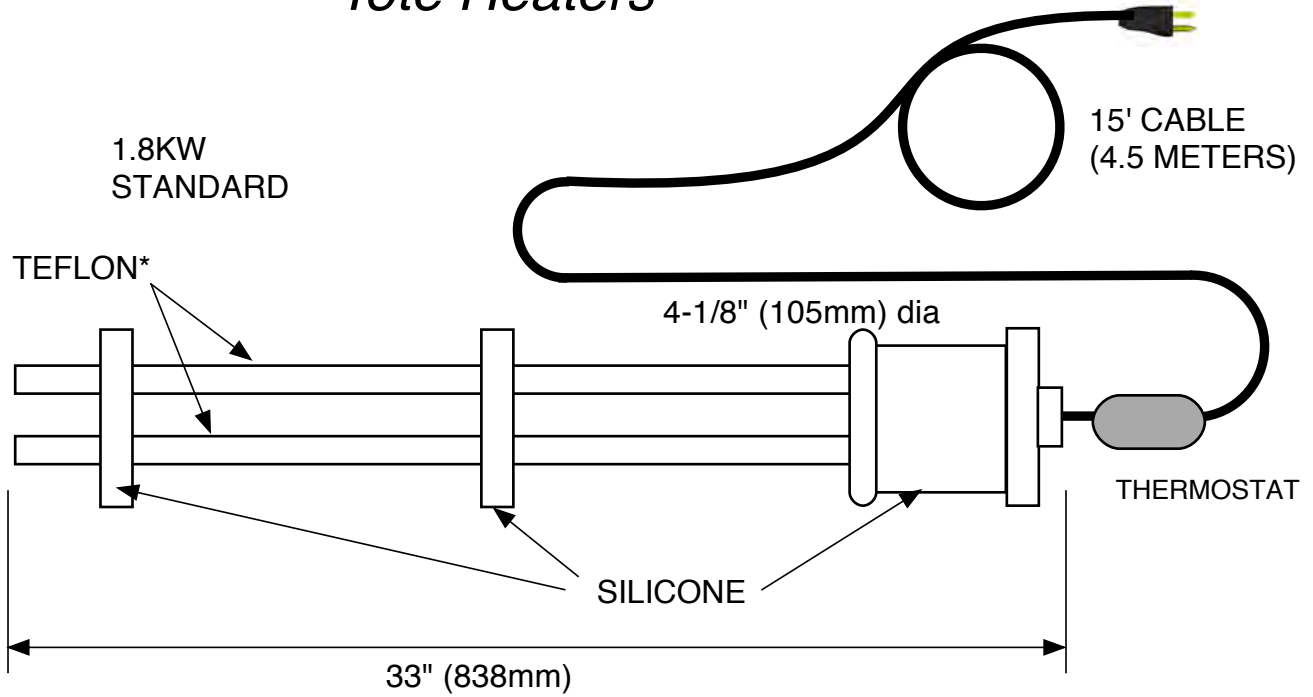


Submersible Teflon* Tote Heaters



*TEFLON IS THE REGISTERED TRADEMARK FOR FLUOROPOLYMER RESINS MADE BY DuPont.

Submersible Teflon* Tote Heaters

1.8KW



1.8KW
MINI



SNAP ACTION
THERMOSTAT
PRESET
TEMPERATURES

MODEL	MODEL	WATTS	VOLTS	ON TEMP	OFF TEMP
STANDARD	MINI			°C / °F	°C / °F
SUBTTEF1.8-18-1	SUBTTEFM1.8-18-1	1800	120V	3 / 37	18 / 65
SUBTTEF1.8-18-2	SUBTTEFM1.8-18-2		240V		

MODEL	MODEL	WATTS	VOLTS	ON TEMP	OFF TEMP
STANDARD	MINI			°C / °F	°C / °F
SUBTTEF1.8-27-1	SUBTTEFM1.8-27-1	1800	120V	16 / 60	27 / 81
SUBTTEF1.8-27-2	SUBTTEFM1.8-27-2		240V		

MODEL	MODEL	WATTS	VOLTS	ON TEMP	OFF TEMP
STANDARD	MINI			°C / °F	°C / °F
SUBTTEF1.8-40-1	SUBTTEFM1.8-40-1	1800	120V	30 / 86	40 / 104
SUBTTEF1.8-40-2	SUBTTEFM1.8-40-2		240V		

These heaters are made from teflon* and silicone, they have great chemical compatability. The temperatures are preset with snap action thermostasts. Check chemical compatabilty with your fluid.
Not for use with oils or solvents

*TEFLON IS THE REGISTERED TRADEMARK FOR FLUOROPOLYMER RESINS MADE BY DuPont.