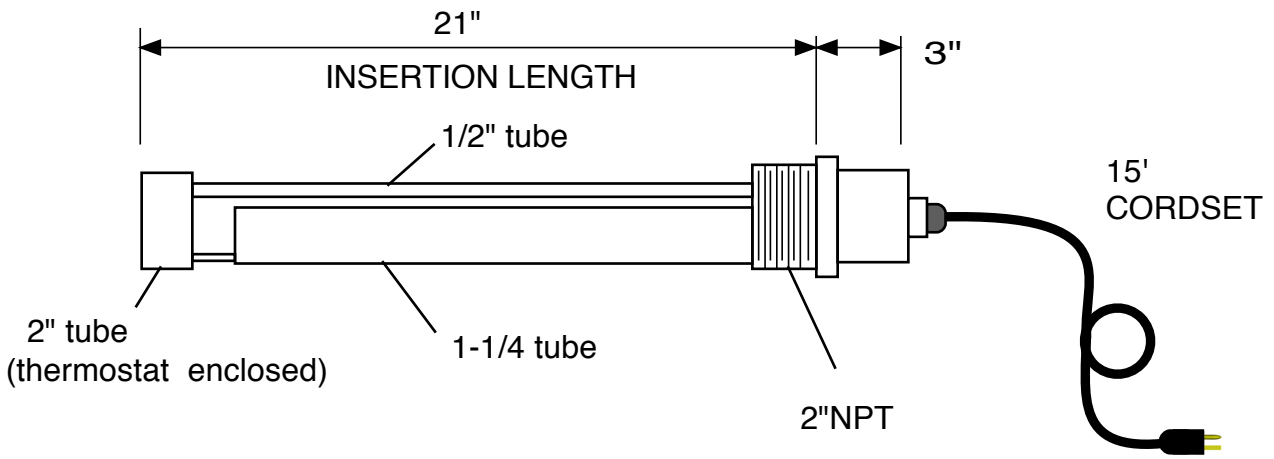
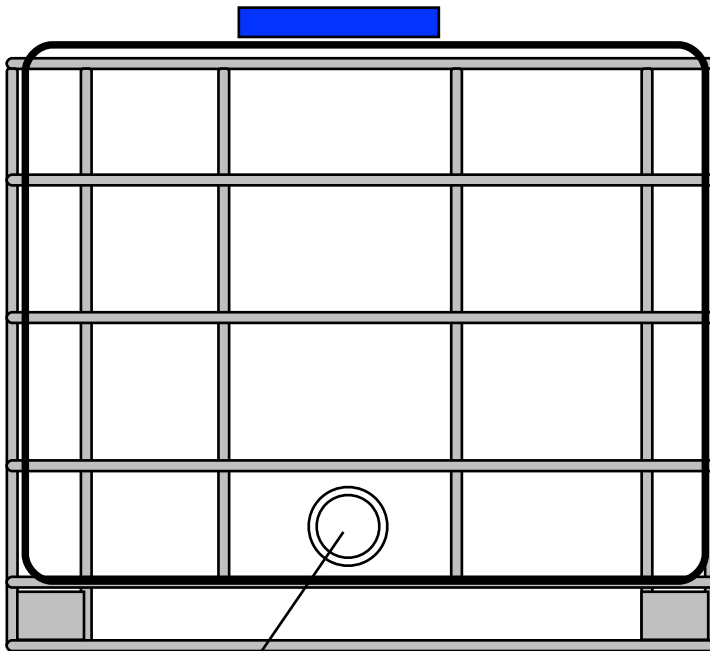


# Threaded DEF Tote Heater

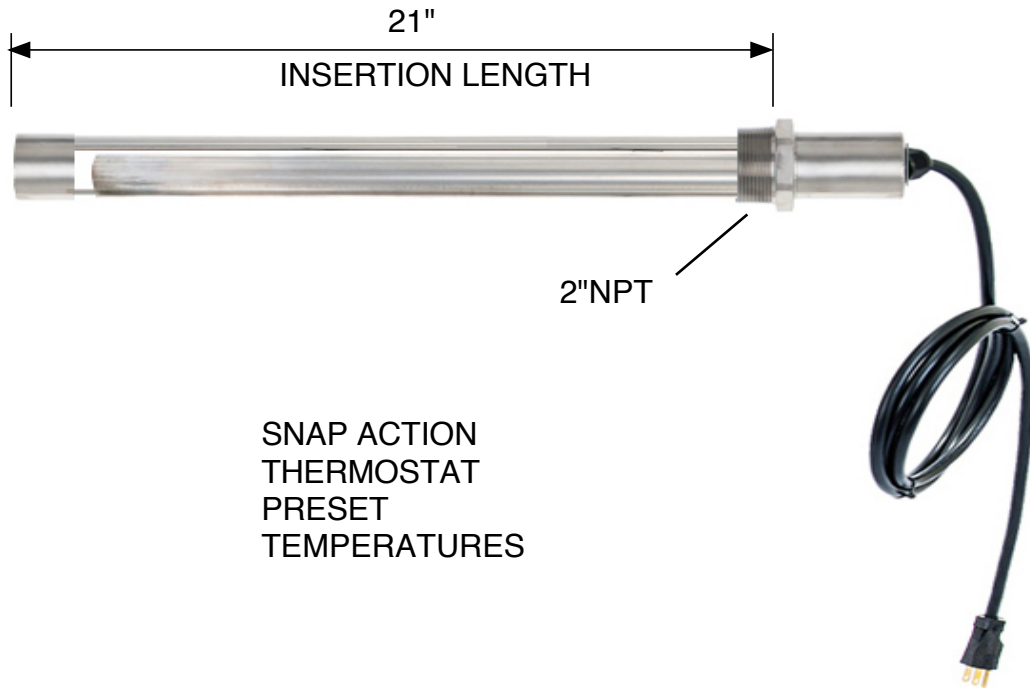


available in 1KW or 1.8KW



2"NPT insert DEF heater

# Threaded DEF Tote Heater



SNAP ACTION  
THERMOSTAT  
PRESET  
TEMPERATURES

MODEL	WATTS	VOLTS	ON TEMP	OFF TEMP
304SS			°C / °F	°C / °F
			3 / 37	18 / 65
DEFTWS1-18-1	1000	120V	↓	↓
DEFTWS1-18-2		240V		
DEFTWS1.8-18-1	1800	120V	↓	↓
DEFTWS1.8-18-2		240		

FOR OTHER SHEATH METALS CONSULT FACTORY

PTC element design to reduce low level burnout  
Energy efficient PTC technology  
Snap action preset temperature control.